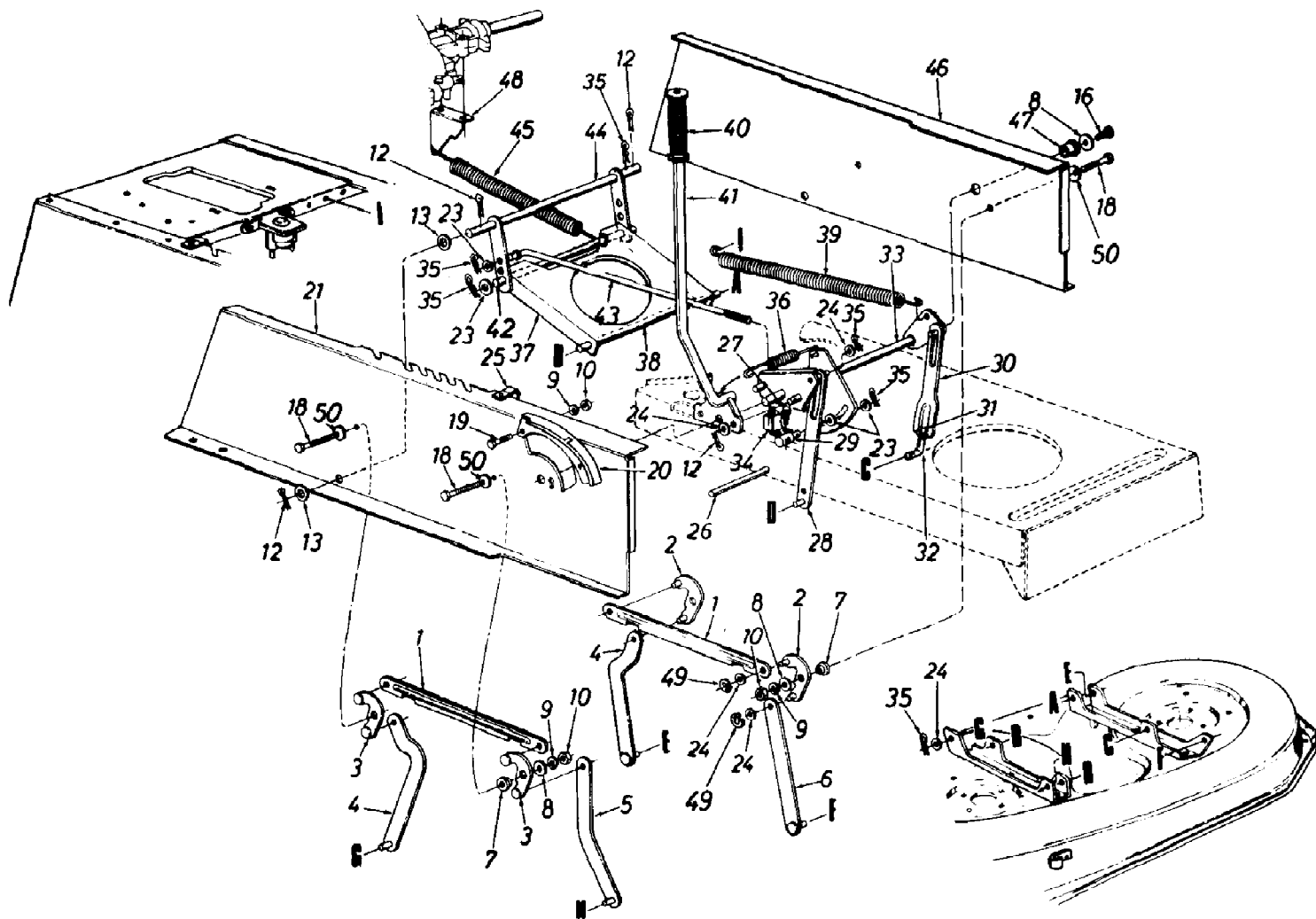


134A676F190 38" Lawn Tractor LT-13 (1994)
Deck Lift Assembly



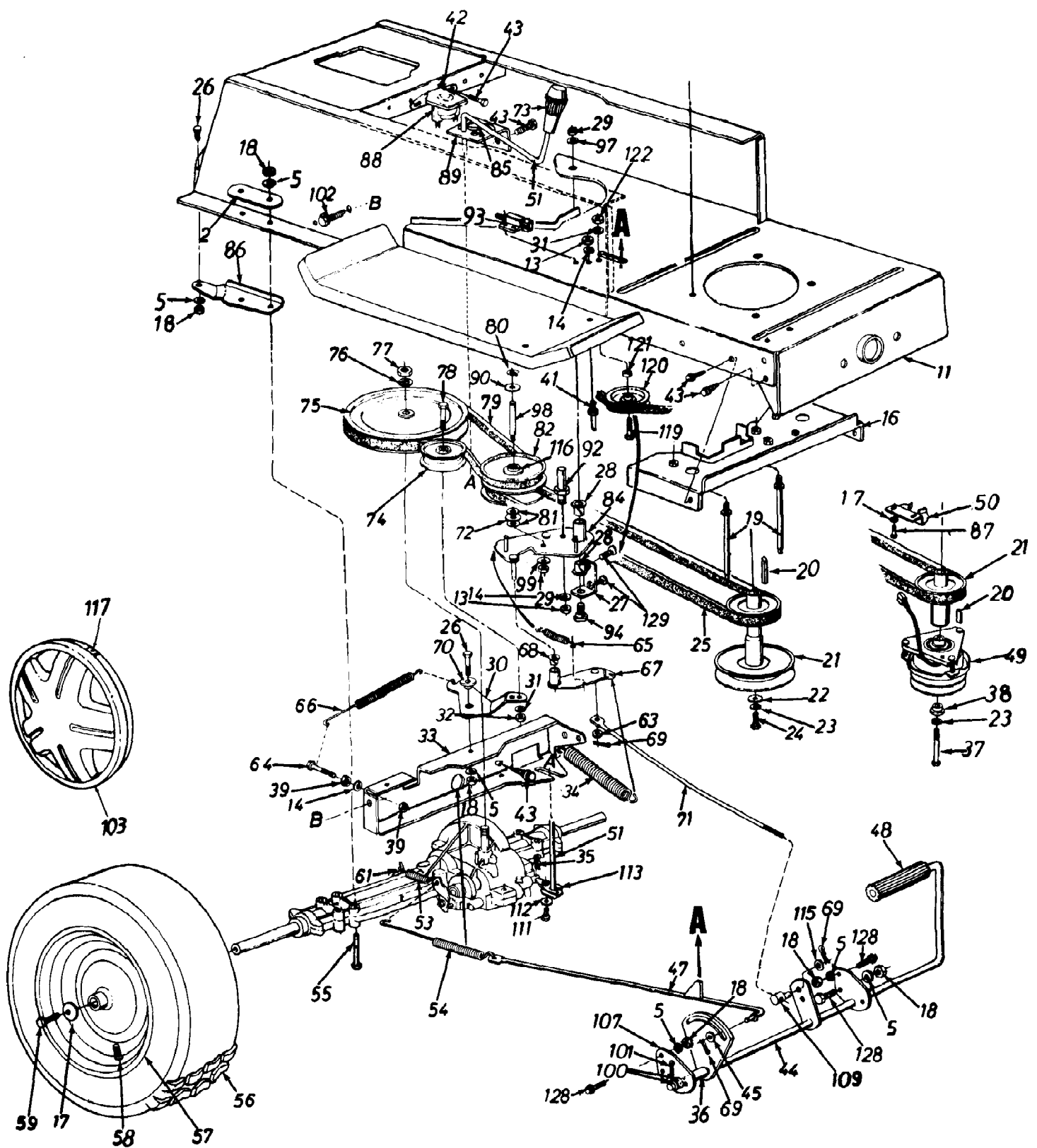
134A676F190 38" Lawn Tractor LT-13 (1994)
Deck Lift Assembly

Page 2 of 27

Ref #	Part Number	Qty	S/P/F	Description
1	783-0103	1	S	Connecting Rod
2	683-0029	1	S	Pivot Link Ass'y.- L.H.
3	683-0028	1		Pivot Link Ass'y.- R.H. (Uses "E"-Ring)
4	17710	1	S	Deck Hanger Link Ass'y.
5	14800A	1	S	Deck Hanger Link Ass'y.
6	14804A	1		Deck Hanger Link Ass'y.
7	748-0331	1	S	Shld. Spacer.318" I.D.
8	736-0264	1	S	FI-Wash..344" I.D. x .62" O.D.
9	736-0119	1	S/F	L-Wash. 5/16" I.D.
10	712-0267	1	S/F	Hex Nut 5/16-18 Thd.
12	714-0470	1	S	Cotter Pin 1/8" Dia.
13	736-0256	1	S	FI-Wash..635" I.D. x 1.0" O.D.
16	710-0604	1	S	Hex Wash. TT-Tap Scr. 5/16-18 x .75" Lg.
18	710-1238	1	/P	Hex Wash. Hd. Scr. 5/16-18 x .875" Lg.
19	710-0118	1	S	Hex Bolt 5/16-18 x .75" Lg.
20	783-0118	1		Index Brkt. For model 134A676F190 only
	783-0185	1		Index Brkt. For models 134R676G190 and 134T676G190 only.
21	783-0042	1	S	Upper Frame - R.H. Code: N notates a new part (not previously existing).
23	736-0267	1	S	FI-Wash..385" I.D. x .87" O.D.
24	736-0160	1	S	FI-Wash..531" I.D. x .93" O.D.
25	726-0272	1	/P	Clamp
26	738-0526	1		Running Board Rod
27	710-3007	1	/P	Hex Wash. Hd. Tap Scr.
28	14802A	1	S	Link Deck Lift Ass'y.
29	711-0723A	1	S	Adj. Ferrule 3/8-24 Thd. For model 134A676F190 only
30	17712	1	S	Adj. Deck Lift Link
31	712-3066	1	S	Hex Nut 1/2-20 Thd. (Gr. 5)
32	711-0841	1	S	Lift Link Adjuster
33	683-0059	1	S	Lift Shaft Ass'y. Code: N notates a new part (not previously existing).
34	725-1657	1	S	Safety Switch 134A676F190. Code: N notates a new part (not previously existing).
35	714-0145	1	S	Inter. Cotter Pin 3/8" Dia.
36	732-0637	1	S	Extension Spring
37	17636B	1	S	Stabilizer Bracket
38	738-0670	1	S	Shaft 1/2" Dia. x 10.28" Lg.
39	732-0638	1		Extension Spring
40	720-0233	1	S	Grip (Lift Handle)
41	17675	1	S	Deck Lift Handle Ass'y.
42	738-0669	1		Shaft 3/8" Dia. x 9.34" Lg.
43	747-0598	1		Disengagement Rod For model 134A676F190 only
44	17624	1	S	Stabilizer Shaft Ass'y.
45	732-0556	1	S	Extension Spring 7.58" Lg.
46	783-0043	1	/P	Upper Frame - L.H. Code: N notates a new part (not previously existing).

134A676F190 38" Lawn Tractor LT-13 (1994)
Deck Lift Assembly

Ref #	Part Number	Qty	S/P/F	Description
47	741-0313	1	S	Flange Brg..632" I.D.
48	17128	1	S	Spring Retainer Brkt.
49	716-0104	1	S	"E"-Ring
50	736-0425	1	S	Bell-Wash..325" I.D.



134A676F190 38" Lawn Tractor LT-13 (1994)
Drive Assembly

Page 5 of 27

Ref #	Part Number	Qty	S/P/F	Description
2	17840	1	S	Transaxle Mtg. Brkt.
5	736-0119	1	S/F	L-Wash. 5/16" I.D.
11	683-0065	1	S	Lower Frame Ass'y. Code: N notates a new part (not previously existing).
13	712-0287	1	S/F	Hex Nut 1/4-20 Thd.
14	736-0329	1	S/F	L-Wash. 1/4" I.D.
16	17358D	1	S	Belt Guard Brkt. Ass'y.
17	736-0242	1	/P	Bell-Wash..345" I.D. x .88" For models 134R676G190 and 134T676G190 only.
18	712-0267	1	S/F	Hex Nut 5/16-18 Thd.
19	711-0986	1	S	Belt Guard Stud 3.6" Lg. For model 134A676F190 only.
20	714-0114	1	S	Sq. Key 1/4" x 1/4" x 2.00" For model 134A676F190 only.
	714-0118	1	/P	Sq. Key 1/4" x 1.5" For model 134R676G190 only.
	714-0128	1	/P	Sq. Key 1/4" x 1" For model 134T676G190 only.
21	756-0488	1	S	Engine Pulley
	756-0641	1		Engine Pulley For model 134R676G190 only.
	756-0565	1		Engine Pulley For model 134T676G190 only.
22	736-0322	1	/P	FI-Wash. 7/16" I.D. x 1.25" For model 134A676F190 only.
23	736-0171	1	S/F	L-Wash. 7/16" I.D.
24	710-0757	1	/P	Hex Bolt 7/16-20 x 1.50" Lg. For model 134A676F190 only.
25	754-0280	1	S	Variable-Speed Belt For model 134A676F190 only.
26	710-0118	1	S	Hex Bolt 5/16-18 x .75" Lg.
27	17963	1		Bearing Shaft Bracket Ass'y.
28	741-0591	1	S	Flanged Nyliner Brg. 5/8" I.D. x .88" Lg.
29	712-0241	1	/P/F	Hex Nut 3/8-24 Thd.
30	17643	1	S	Idler Bracket
31	736-0169	1	S/F	L-Wash. 3/8" I.D.
32	712-0241	1	/P/F	Hex Nut 3/8-24 Thd.
33	17629A	1	S	Transaxle Support Brkt.
34	732-0556	1	S	Ext. Spring .94" O.D. x 7.58"
35	714-0149B	1	S	Inter. Cotter Pin
36	750-0802	1		Spacer .63" I.D.
37	710-3157	1	S	Hex Bolt 7/16-20 x 3.25" Lg. For model 134R676G190 only.
	710-1067	1	/P	Hex Bolt 7/16-20 x .5" Lg. For model 134T676G190 only.
38	738-0785	1	S	Shld. Spacer .445" I.D. For models 134R676G190 and 134T676G190 only.
39	712-0138	1	S	Hex Nut 1/4-28 Thd.
?40	710-0776			Scr. 1/4" x .62" Lg.

134A676F190 38" Lawn Tractor LT-13 (1994)
Drive Assembly

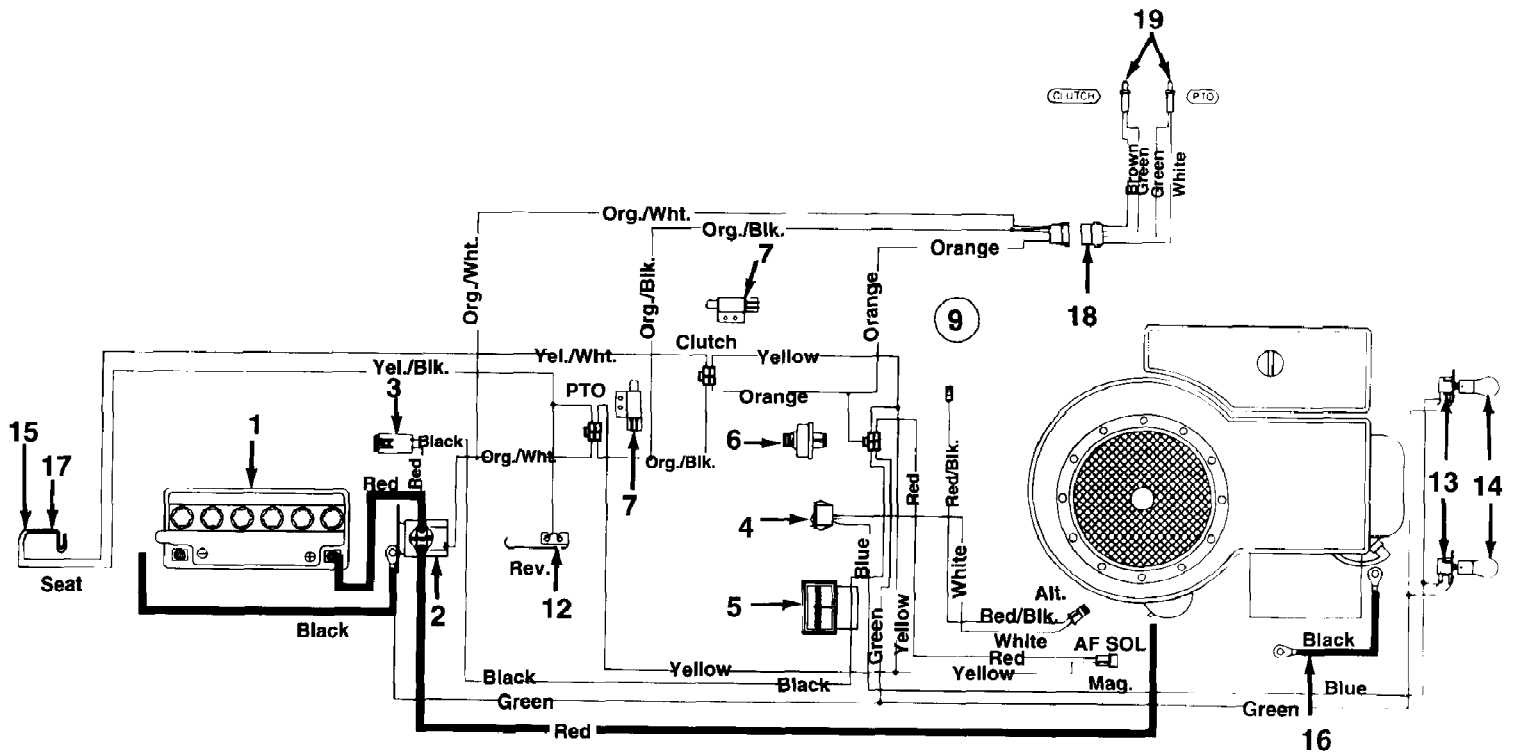
Page 6 of 27

Ref #	Part Number	Qty	S/P/F	Description
41	711-0747	1	S	Belt Guard Pin
42	736-0222	1	S	Ext. L-Wash. 1/4" I.D.
43	710-0599	1	/P	Hex Wash. Hd. S-Tap Scr. 1/4-20 x .50" Lg.
44	17715B	1		Clutch/Brake Pedal Ass'y. Code: N notates a new part (not previously existing).
45	736-0264	1	S	FI-Wash..344" I.D. x .62"
47	17686A	1		Brake Rod Ass'y.
48	735-0196	1	S	Foot Pad
49	717-0983	1	S	Electric Clutch For models 134R676G190 and 134T676G190 only.
50	17418	1	S	Torque Bracket For models 134R676G190 and 134T676G190 only.
51	17705	1	/P	Shift Lever Ass'y.
53	732-0264	1	S	Ext. Spring .38" O.D. x 2.5"
54	732-0413	1	S	Ext. Spring .59" O.D. x 7.08" Lg. w/18" Wheels or 46" Deck
55	710-0189	1	/P/F	Hex Bolt 5/16-18 x 3" Lg. Used w/20" Wheels w/o 46" Deck
56	734-1675	1		Wheel Ass'y. Comp.
	734-1596	1		Tire Only
57	634-0070	1	/P	Wheel Rim Only
58	734-0255	1	S	Air Valve Service Only
59	710-0627	1	/P/F	Hex Bolt 5/16-24 x .75" Lg.
61	732-0722	1	S	Brake Return Spring Anchor
63	736-0275	1	S	FI-Wash..34" I.D. x .68" O.D.
64	710-0428	1	F	Hex Bolt 1/4-28 x 1.25" Lg.
65	732-0568	1	S	Ext. Spring
66	732-0384	1	S	Ext. Spring .62" O.D. x 6.12"
67	16554A	1	S	Variable Speed Torque Brkt. Ass'y.
68	741-0419	1		Flanged Bearing
69	714-0111	1	S/F	Cotter Pin 3/32" Dia.
70	748-0234	1	/P	Shoulder Spacer .27" Lg.
71	747-0530A	1	/P	Speed Control Link
72	741-0405	1	S	Truss Bearing .56 Dia. x 1.25"
73	720-0232	1	S	Shift Knob
74	756-0437	1	S	FI-Idler Pulley 3.25" x .75"
75	656-0004	1		"V" Pulley
76	736-0427	1	S	Bell-Wash..56" I.D. x 1.125"
77	712-3035	1	/P	Hex Jam Nut 5/16-18 Thd.
78	710-0539	1	/P	Hex Bolt 3/8-24 x 1.75" Lg.
79	754-0370	1	S	Variable Speed Belt
80	716-0114	1	S	Snap Ring .56" Dia.
81	736-0355	1	/P	FI-Wash.
82	717-0800A	1	S	Variable Speed Pulley Ass'y. 5" O.D.
84	16354B	1	S	Variable Speed Brkt. Ass'y.
85	732-0525	1		Comp. Spring - Clip
86	17668	1	S	Axle Support Brkt.- R.H.
	17669	1	S	Axle Support Brkt.- L.H.
87	710-3008	1	/P	Hex Bolt 5/16-18 x 3/4" Lg. For models 134R676G190 and 134T676G190 only.

134A676F190 38" Lawn Tractor LT-13 (1994)
Drive Assembly

Page 7 of 27

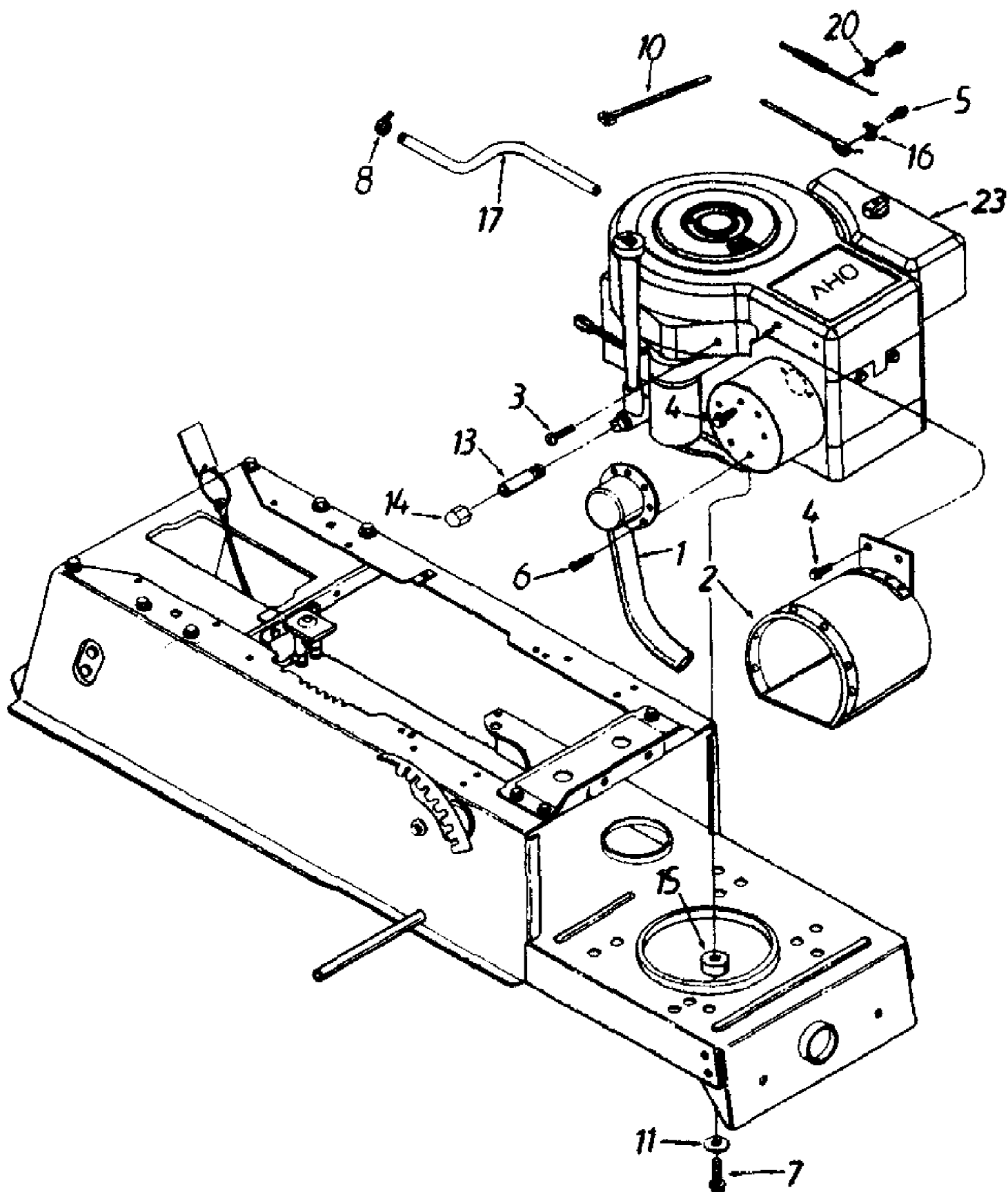
Ref #	Part Number	Qty	S/P/F	Description
88	725-1426	1	S	Solenoid
89	17630	1	S	Shift Lever Bracket
90	736-0414	1	S	Teflon Washer.565" I.D.
92	711-1000	1	S	Belt Keeper 3" Lg.
93	725-1657	1	S	Safety Switch (Clutch) Code: N notates a new part (not previously existing).
94	738-0755	1	S	Shld. Bolt 3/8-24 x 3.12" Lg.
97	736-0105	1	/P	Bell-Wash..38" I.D. x .88"
98	738-0569	1	S	Shaft .56" Dia. x 3.875" Lg.
99	736-0331	1	/P	Bell-Wash..39" I.D. x 1.12"
100	736-0256	1	S	FI-Wash..64" I.D. x .94"
101	714-0470	1	S	Cotter Pin 1/8" Dia. x 1.25"
102	710-0604	1	S	Hex Wash. Hd. Scr. 5/16-18 x .62" Lg.
103	734-1784	1	S	Hub Cap
107	17860	1	S	Pedal Bracket
109	711-0198	1	S	Ferrule
111	710-0195	1	S	Hex Bolt 1/4-28 x .50" Lg.
112	736-0270	1	/P	Bell-Wash..265" I.D. x .75"
113	17707	1		Shift Lever Link Ass'y.
115	736-0140	1	S	FI-Wash..385" I.D. x .62"
116	741-0404	2 Req'd.	S	Needle Brgs.
117	727-0425A	1	S	Spring Clip Used w/Ref. No. 103
119	710-0427	1	S	Hex Bolt 3/8-16 x 1.25" Lg.
120	756-0217	1	S	FI-Idler w/Flanges 2.75" O.D.
121	736-0280	1		FI-Wash..39" I.D. x 1.12" O.D.
122	712-0798	1	/P	Hex Nut 3/8-16 Thd.
128	710-0650	1	/P	Hex Wash. TT-Tap Scr. 5/16-18 x .75" Lg.
129	710-0726	1	/P	Hex Wash. AB-Tap Scr. 5/16-18 x .75" Lg.



134A676F190 38" Lawn Tractor LT-13 (1994)
Electrical System

Page 9 of 27

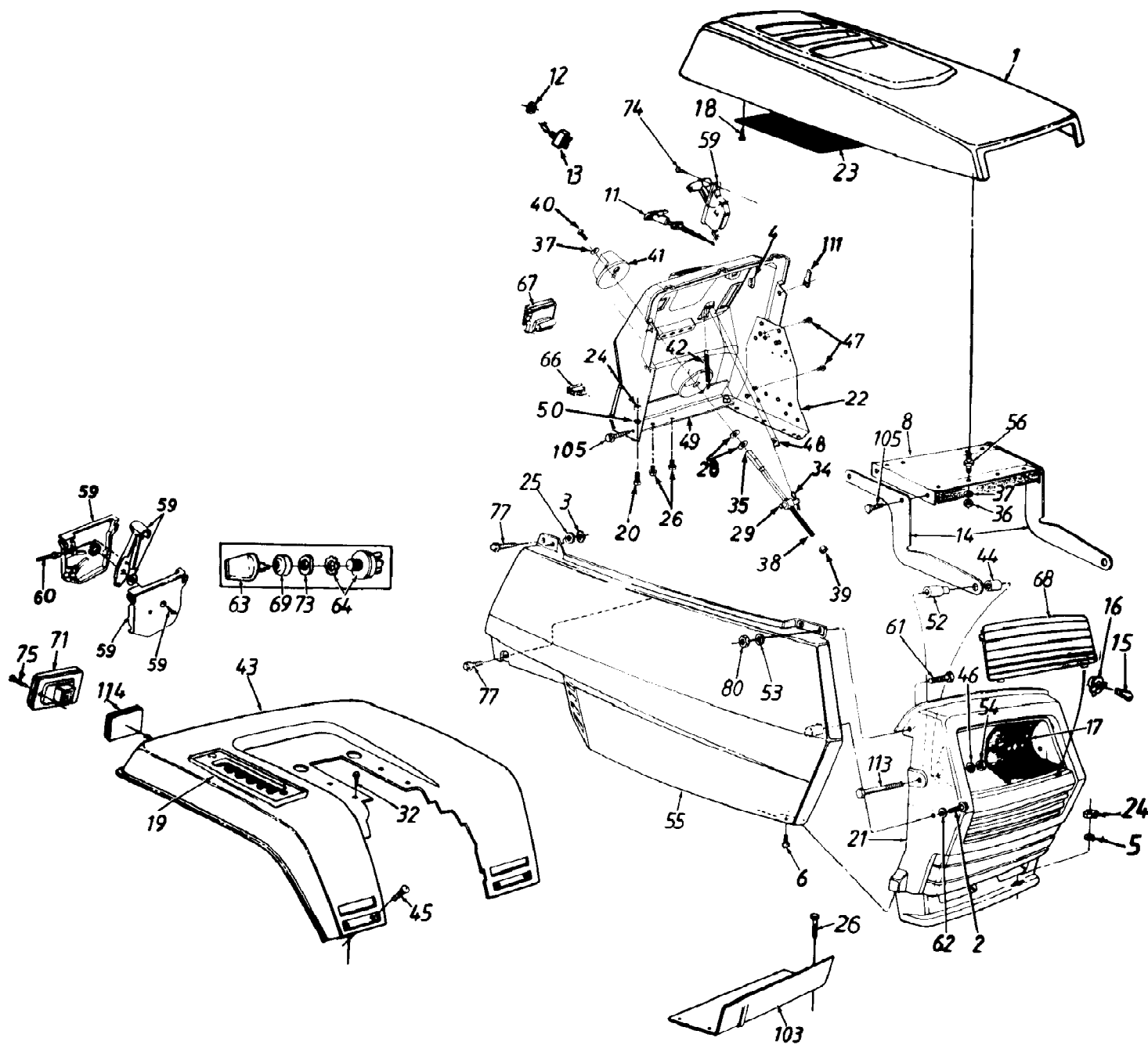
Ref #	Part Number	Qty	S/P/F	Description
1	725-1635	1	S	Battery
2	725-1426	1	S	Solenoid
3	725-1625	1		Fuse 7.5 Amps
4	725-0634	1	S	Light Switch
5	725-0925	1	S	Ammeter
6	725-1396	1	S	Ignition Switch
7	725-1657	1	S	Safety Switch (Clutch)
9	629-0204	1		Wire Harness w/Monitor
12	725-1643	1		Safety Switch (Reverse)
13	725-1649	1	S	Socket
14	725-0963	1	S	Bulb (Headlight)
15	725-1303	1	S	Safety Switch (Seat)
16	725-0980	1		Ground Wire 7.5" Lg.
17	725-1439	1		Safety Switch (Seat)
18	629-0132	1		Monitor Harness
19	725-1365	1	S	Monitor Bulb



134A676F190 38" Lawn Tractor LT-13 (1994)
Engine Assembly

Page 11 of 27

Ref #	Part Number	Qty	S/P/F	Description
1	651-0005	1		Exhaust Pipe Ass'y.
2	683-0072	1		Heat Shield Ass'y.
3	710-0323	1	/P	Pan Hd. Mach. Scr. 5/16-18 x .75"
4	710-0599	1	/P	Hex Wash. Hd. Scr. 1/4-20 x .5"
5	710-1237	1		Hex Slot Wash. Hd. #10-32 x 5/8" Lg.
6	710-0148	1	/P	Hex Wash. Hd. F-Tap Scr. #8-32 x .38"
7	710-1007	1	/P	Hex L-Wash. TT-Tap Scr. 3/8-16 x 1.5"
8	726-0205	1	/P	Hose Clamp -.49" Dia.
10	726-0197	1		Cable Tie - 4" I.D.
11	736-0247	1	/P	Flat Wash. 3/8" I.D. x 1.25" O.D.
13	737-0199	1	S	Pipe Nipple 3/8-18 NPT x 2" Lg.
14	737-0143	1	S	Cap - Oil Drain
15	750-0965	1		Shld. Spacer .38" I.D. x 1.25" O.D.
16	751-0360A	1	S	Casing Clamp
17	751-0535-15	1	S	Fuel Line Hose
20	751B221535	1	/P	Casing Clamp
23		1		Engine



134A676F190 38" Lawn Tractor LT-13 (1994)
Front Panels

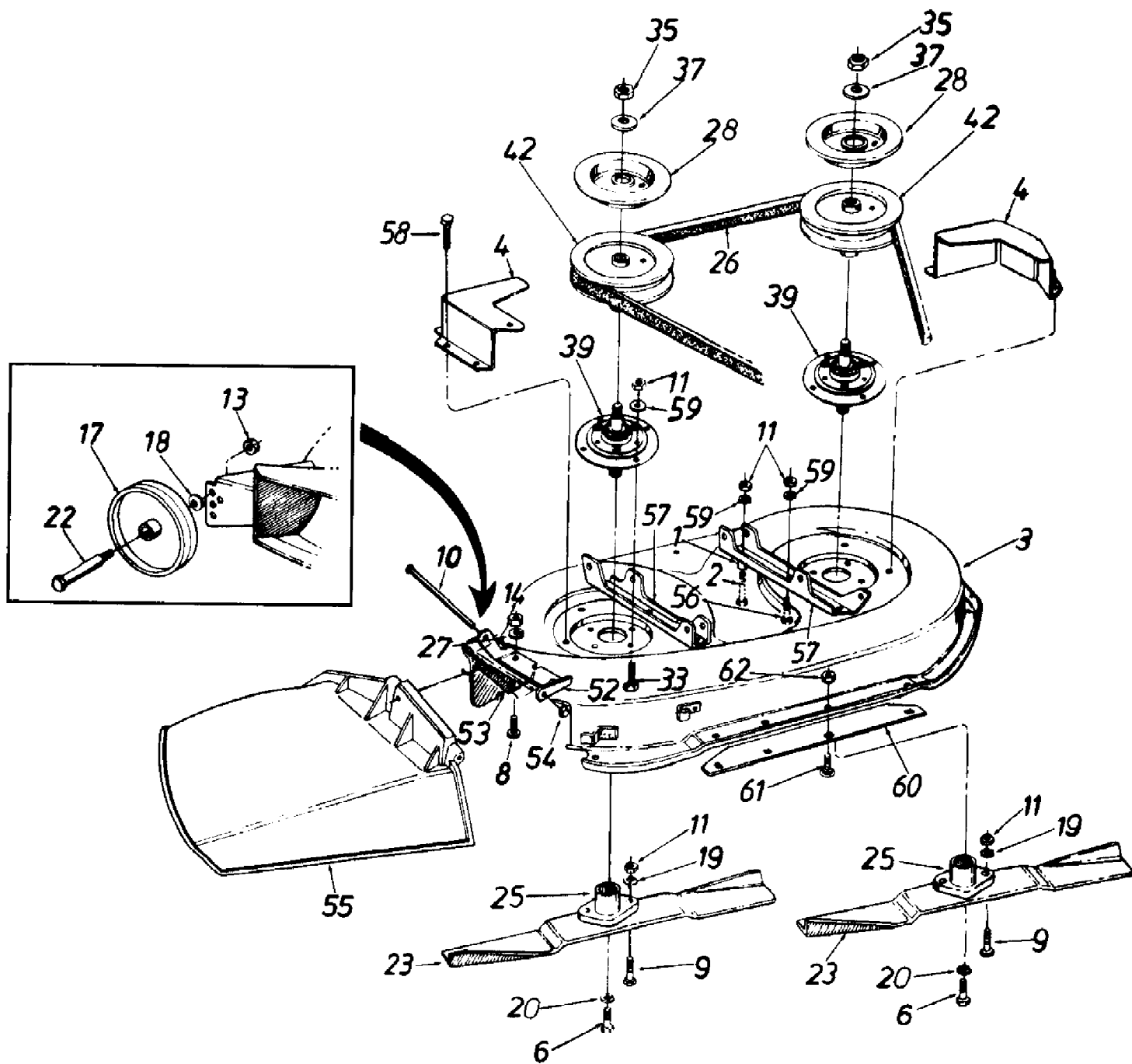
Page 13 of 27

Ref #	Part Number	Qty	S/P/F	Description
1	731-1429	1	S	Hood
2	710-0896	1	/P	Hex Wash. B-Tap Scr. 1/4 x .62" Lg.
3	726-0233	1	/P	Bolt Retainer 1/4" I.D.
4	17782	1		Retainer Clip
5	736-3078	1	/P	FI-Wash..34" I.D. x 1"
6	710-0351	1	/P	Truss Mach. B-Tap Scr. #10 x .5" Lg.
8	16903A	1	S	Hood Plate
11	746-3021	1		Choke Control For 134A676F190 & 134R676G190
	746-0614A	1	/P	Choke Control For 134T676G190
12	712-3014	1		Hex Nut 1/2-27 Thd. For models 134R676G190 and 134T676G190 only.
13	725-0893	1	S	Toggle Switch For models 134R676G190 and 134T676G190 only.
14	16902A	1		Hood Hinge Code: N notates a new part (not previously existing).
15	725-0963	1	S	Lamp
16	725-1649	1	S	Twist Lock - Lamp Socket
17	777-8516	1		Reflector - Headlight
18	710-0227	1	/P	Hex Wash. Hd. AB-Tap Scr. #8 x .5" Lg.
19	17469	1	S	7-Speed Selector Plate
20	710-0118	1	S/F	Hex Bolt 5/16-18 x .75" Lg.
21	731-1430	1	S	Grille
22	17300D	1		Dash Support Bracket
23	723-0416	1		Screen
24	712-0267	1	S/F	Hex Nut 5/16-18 Thd.
25	736-0176	1	S	FI-Wash. 1/4" I.D. x .93" O.D.
26	710-0603	1	/P	Hex Wash. Hd. B-Tap Scr. 5/16-18 x .5" Lg.
?27	710-0429	1	S	Hex B-Tap Scr. #10 x .38" Lg.
28	736-0267	1	S	FI-Wash. 3/8" I.D. x .875" O.D.
29	711-1002	1		Adj. Ferrule 3/8-8 Thd. Code: N notates a new part (not previously existing).
32		1		UNKNOWN
?33	736-0242	1	/P	Bell-Wash..345" I.D. x .88"
34	714-0101	1	S	Hairpin Clip
35	716-0125	1	S	"E"-Ring .375" Dia.
36	712-0287	1	S/F	Hex Nut 1/4-20 Thd.
37	736-0270	1	/P	Bell-Wash..265" I.D. x .75"
38	747-0898	1		Adjustment Rod Code: N notates a new part (not previously existing).
39	712-0449	1		Hex Nut 3/8-8 Twin Thd. Code: N notates a new part (not previously existing).
40	710-3015	1	/P	Hex Bolt 1/4-20 x .75" Lg. Code: N notates a new part (not previously existing).
41	720-0236	1	S	Plastic Knob
42	732-0732	1		Ext. Spring 3.21" Lg.
43	17324B	1		Rear Fender
44	750-0755	1		Spacer.33" I.D. x .625" O.D.
45	710-0167	1		Hex Bolt 1/4-20 x .50" Lg

134A676F190 38" Lawn Tractor LT-13 (1994)
Front Panels

Page 14 of 27

Ref #	Part Number	Qty	S/P/F	Description
46	736-0278	1		FI-Wash..328" I.D. x .68" O.D.
47	710-0599	1	/P	Hex Wash. Hd. Scr. 1/4-20 x .5" Lg.
48	727-0460	1	S	Indicator Strip
49	783-0120	1	S	Indicator Bracket
50	736-0119	1	S	L-Wash. 5/16" I.D.
52	750-0754	1		Shld. Spacer.33" I.D.
53	736-0142	1	S	FI-Wash..281" I.D. x .5" O.D.
54	712-0158	1	S	Hex Cent. L-Nut 5/16-18 Thd.
55	731-1432A	1	S	Side Cover - R.H. Code: N notates a new part (not previously existing).
	731-1431A	1		Side Cover - L.H. Code: N notates a new part (not previously existing).
56	710-1034	1		Double Ended Stud 1/4-20 Thd.
59	831-0823A	1	/P	Throttle Control Box Ass'y.
60	746-0905	1		Throttle Control Wire 22" Lg. For 134A676F190 & 134R676G190
	746-0634	1	S	Throttle Control Wire 35" Lg. For 134T676G190
61	710-0258	1	S/F	Hex Bolt 1/4-20 x .62" Lg.
62	736-0173	1	/P	FI-Wash..281" I.D. x .73" O.D.
63	725-1341B	1	/P	Ignition Key
64	725-1396	1	S	Ignition Switch
?65	731-1510	1	S	Dash Panel Code: N notates a new part (not previously existing).
66	725-0634	1	S	Light Switch
67	725-0925	1	S	Ammeter
68	731-1038	1	S	Lens
69	725-1347	1	/P	Ignition Switch Cap
71	725-3018	1		Taillight For models 134R676G190 and 134T676G190 only.
73	725-1346	1	S	Ignition Switch Nut
74	710-0779A	1	/P	Truss Mach. AB-Tap Scr. #10 x .5" Lg.
75	710-0936	1		Truss Hd. AB-Tap Scr. #6 x .62" Lg For models 134R676G190 and 134T676G190 only.
77	710-0642	1	/P	Hex Wash. Hd. Tap Scr. 1/4 x .75" Lg.
80	712-0291	1	S	Hex L-Nut 1/4-20 Thd.
?94	712-0147	1	/P	Speed Nut #10-24 Thd.
103	17633A	1	S	Gasoline Tank Support
105	710-0599	1	/P	Hex Tap Scr. 1/4-20 x .5" Lg.
111	712-0185	1		Speed Nut 1/4-20 Thd.
113	710-0176	1	/P	Hex Bolt 5/16-18 x 2.75"
114	730-3000	1	S	Reflector For 134A676F190

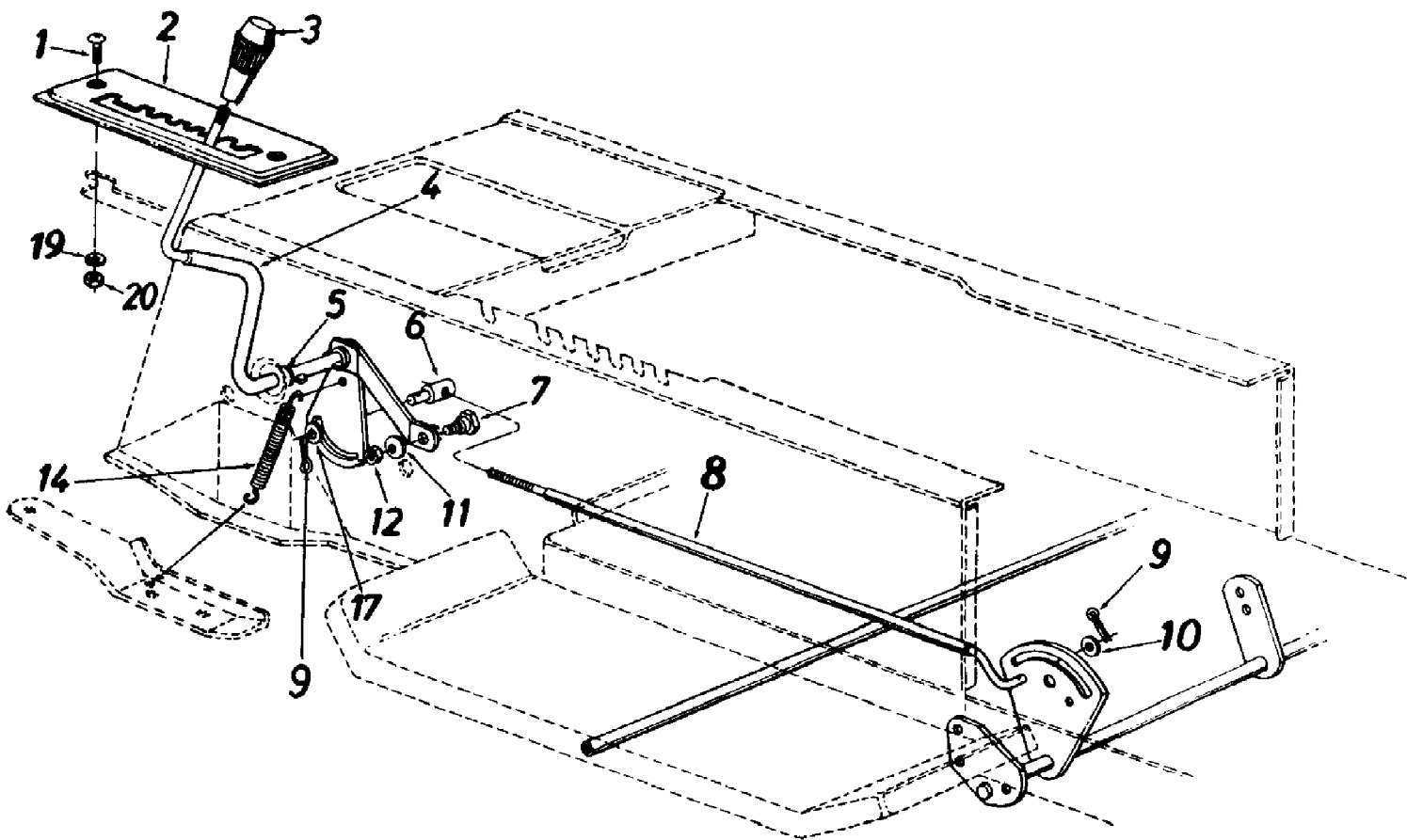


134A676F190 38" Lawn Tractor LT-13 (1994)
Mower Deck

Page 16 of 27

Ref #	Part Number	Qty	S/P/F	Description
1	750-0776	1	S	Spacer .33" I.D. x .88"
2	710-0672	1	/P	Hex Bolt 5/16-24 x 1.25" Lg.
3	17503B	1	S	38" Deck Ass'y.
	801-7503	1	S	38" Deck Ass'y. Comp. For Service Only
4	17665	1	S	Belt Guard Deck
6	710-0152	1	S	Hex Bolt 3/8-24 x 1.0" Lg.
8	710-0258	1	S	Hex Bolt 1/4-20 x .62"
9	710-0888	1	/P	Hex Bolt Special 5/16-24 x 1.0"
10	711-0792	1	S	Hinge Pin
11	712-0123	1	/P/F	Hex Nut 5/16-24 Thd.
13	712-0181	1	S	Hex Top L-Nut 3/8-16 Thd.
14	712-0287	1	S/F	Hex Nut 1/4-20 Thd.
17	734-0973	1	/P	Deck Wheel - 5"
18	736-0105	1	/P	Bell-Wash..40" I.D. x .88" O.D.
19	736-0119	1	S/F	L-Wash. 5/16" I.D.
20	736-0217	1	S	L-Wash. 3/8" I.D.- H.D.
22	738-0373	1	S	Shld. Bolt .498" Dia. x 1.53"
23	742-0473A	1	S	High-Lift Blade
25	748-0300	1		Blade Adapter
26	754-0433	1	S	V-Belt
27	736-0270	1	/P	Bell-Wash. 1/4" I.D.
28	09322	1		Brake Disc
33	710-0157	1	/P	Hex Bolt 5/16-24 x .75" Lg.
35	712-0318	1	/P	Hex Jam Nut 5/8-18 Thd.
37	736-0158	1	S/F	L-Wash. 5/8" I.D.
39	717-0906	1	S	Blade Spindle Ass'y. Comp.
42	756-0486	1		5" Dia. Pulley
52	703-1693	1	S	Hinge Mtg. Brkt.
53	732-0602	1	S	Torsion Spring
54	726-0106	1	S	Push Nut
55	731-1032	1	S	Chute Ass'y. Comp. Incl. Ref 10,52,53,54,55
56	710-0157	1	/P	Hex Bolt 5/16-24 x .75" Lg.
57	17493A	1	S	Deck Hanger Channel
58	710-0599	1	/P	Hex Wash. Hd. TT-Tap Scr. 1/4-20 x .5" Lg.
59	736-0242	1	/P	Bell-Wash..345" I.D. x .88"
60	17863	1	S	Skirt Ext.
61	710-0167	1	/P	Carr. Bolt 1/4-20 x .5" Lg.
62	712-0271	1	/P	Hex Sems Nut 1/4-20 Thd.

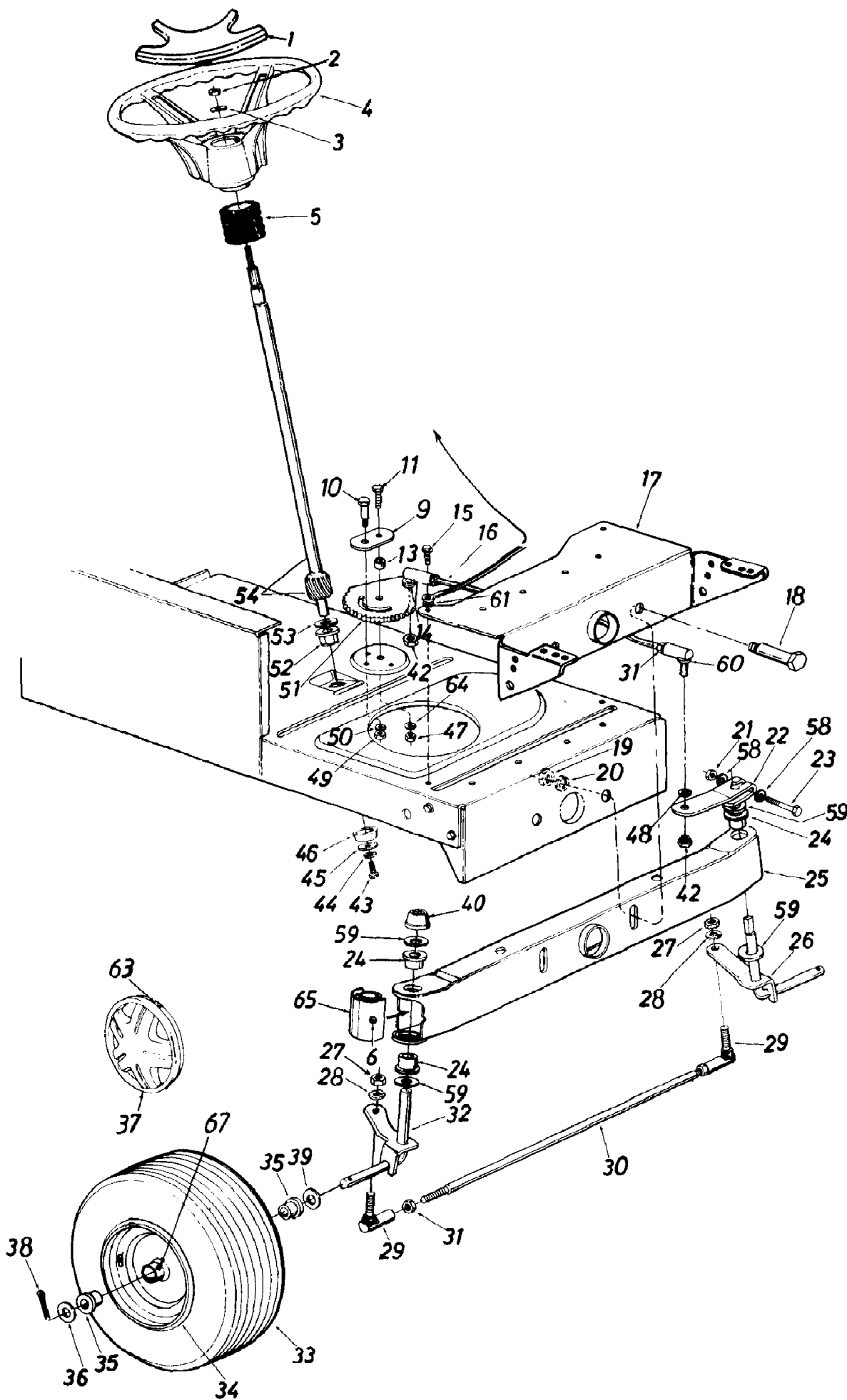
134A676F190 38" Lawn Tractor LT-13 (1994)
Shift Linkage



134A676F190 38" Lawn Tractor LT-13 (1994)
Shift Linkage

Page 18 of 27

Ref #	Part Number	Qty	S/P/F	Description
1	710-0924	1	/P	Truss Mach. Scr. 1/4-20 x .75" Lg.
2	17469	1	S	7-Speed Selector Plate
3	720-0218	1	/P	Shift Knob
4	16192A	1	/P	Speed Selector Lever Ass'y.
5	736-0192	1	S	Flat Washer .53" I.D. x .93"
6	711-0198	1	S	Ferrule 3/8-24 x .37" Dia.
7	738-0155	1	S	Shoulder Bolt
8	747-0503A	1		Speed Control Link
9	714-0111	1	S/F	Cotter Pin 3/32" Dia. x 1.0"
10	736-0226	1	S	FI-Wash..469" I.D. x .88"
11	736-0119	1	S/F	L-Wash. 5/16" I.D.
12	712-0267	1	S/F	Hex Nut 5/16-18 Thd.
14	732-0303	1	S	Spring .38" O.D. x 3.18" Lg.
17	736-0140	1	S	FI-Wash..385" I.D. x .62"
19	736-0329	1	S/F	L-Wash. 1/4" I.D.
20	712-0287	1	S/F	Hex Nut 1/4-20 Thd.



134A676F190 38" Lawn Tractor LT-13 (1994)
Steering Assembly

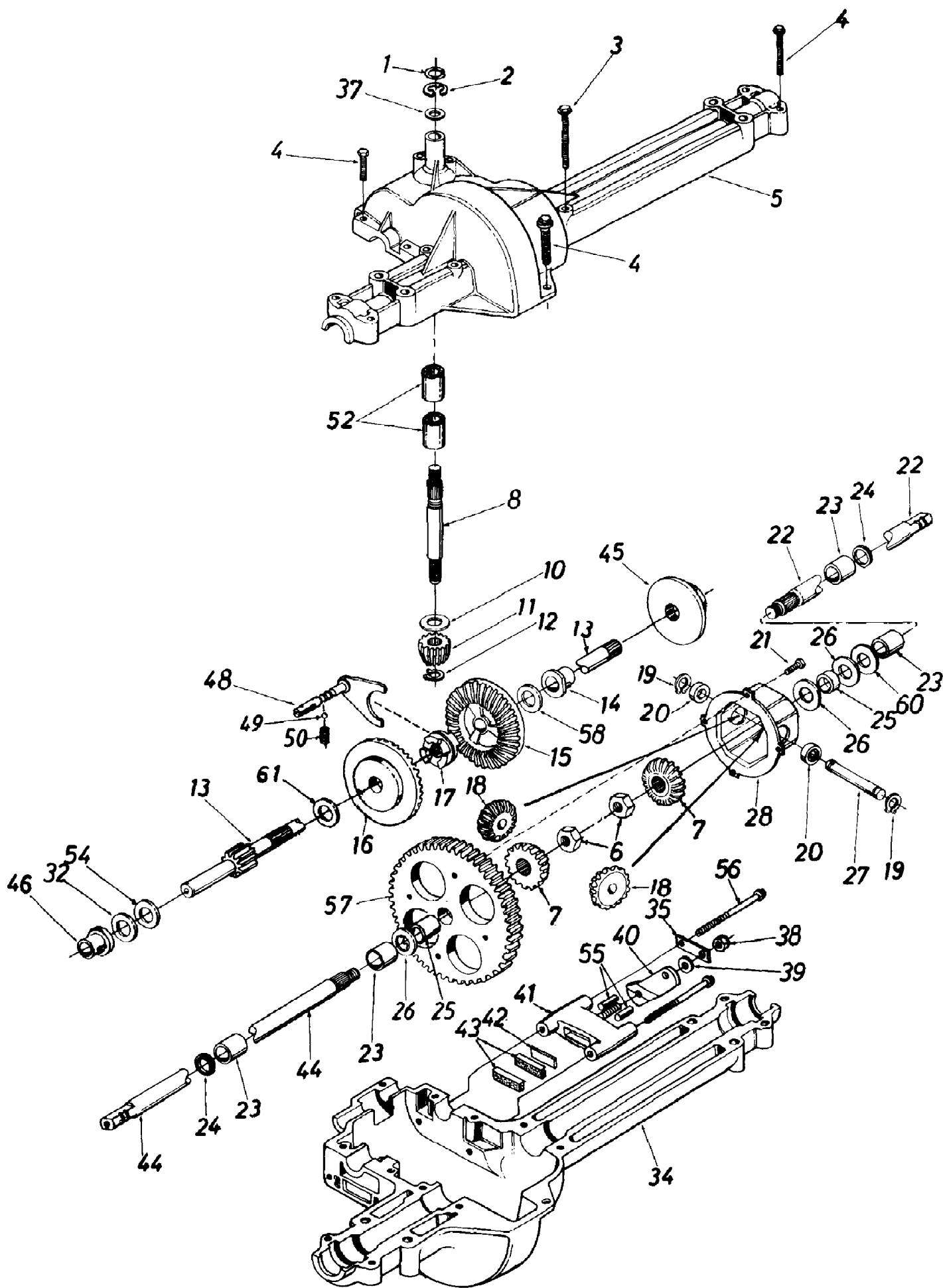
Page 20 of 27

Ref #	Part Number	Qty	S/P/F	Description
1	731-1509	1	S	Steering Wheel Cap Code: N notates a new part (not previously existing).
2	712-0411	1	S	Hex L-Nut 5/16-24 Thd.
3	736-0242	1	/P	Belleville Wash..345" I.D.
4	631-0019	1		Steering Wheel Code: N notates a new part (not previously existing).
5	731-0954	1	S	Steering Bellow - 9"
6	737-0280	1	S	Grease Fitting
9	17198A	1	S	Retainer Plate
10	738-0141	1	S	Shoulder Bolt .437" Dia. x .35" Lg.- 5/16-18 Thd.
11	710-0152	1	S	Hex Bolt 3/8-24 x 1.0" Lg. (Grade 5)
13	750-0535	1	S	Spacer .380" I.D. x .625" O.D. x .227
?14	736-0217	1	S	L-Wash. 3/8" I.D. (H.D.)
15	710-0726	1	/P	Hex Wash. Hd. Self-Tap Scr.
16	711-1001	1	S	Steering Drag Link
17	783-0041	1	S	Front Pivot Brkt.
18	738-0527	1	S	Shoulder Bolt .498" Dia. x 2.04" Lg.- 3/8-16 Thd.
19	712-0798	1	/P/F	Hex Nut 3/8-16 Thd.
20	736-0169	1	S/F	L-Wash. 3/8" I.D.
21	712-0411	1	S	Hex L-Nut 5/16-24 Thd.
22	16481A	1	S	Steering Arm Front Axle
23	710-0772	1	/P	Hex Bolt 5/16-24 x 2.00" Lg. (Grade 5)
24	741-0487A	1	S	Hex Flg. Brg..632 I.D.
25	683-0002	1	S	Pivot Bar Ass'y.
26	17585	1	/P	Front Axle Ass'y.- L.H.
27	712-0241	1	/P/F	Hex Nut 3/8-24 Thd.
28	736-0169	1	S/F	L-Wash. 3/8" I.D.
29	723-3018	1	S	Ball Joint 3/8-24 Thd.
30	747-0753	1		Tie Rod
31	712-0711	1	/P/F	Hex Jam Nut 3/8-24 Thd.
32	17584	1	/P	Front Axle Ass'y.- R.H.
33	634-0059	1		Wheel Ass'y. Comp.
	734-0864	1	/P	Tire Only
	734-0255	1	S	Air Valve
34	634-0051	1	S	Front Wheel Rim Only
35	741-0569	1	S	Bearing
36	736-0285	1	/P	FI-Wash..635" I.D. x 1.59" O.D.
37	734-1783	1		Front Wheel Hub Cap
38	714-0470	1	S/F	Cotter Pin 1/8" Dia. x 1.25"
39	736-0187	1	/P	FI-Wash..640" I.D. x 1.24" O.D.
40	726-0214	1	/P	Push Cap 5/8" Dia. Rod
42	712-0446	1	S	Hex Jam Nut 3/8-24 Thd.
43	710-0538	1	/P/F	Hex L-Bolt 5/16-18 x .62"
44	736-0119	1	S/F	L-Wash. 5/16" I.D.
45	736-0343	1	/P	FI-Wash..33" I.D. x 1.25" O.D.
46	750-0532	1	S	Spacer (Plastic)
47	712-0214	1	S	Hex Cent. L-Nut 3/8-24 Thd.
48	736-0169	1	S/F	L-Wash. 3/8" I.D.
49	712-0158	1	S	Hex Nut 5/16-18 Thd.

134A676F190 38" Lawn Tractor LT-13 (1994)
Steering Assembly

Page 21 of 27

Ref #	Part Number	Qty	S/P/F	Description
50	736-0119	1	S/F	L-Wash. 5/16" I.D.
51	717-0622A	1	S	Steering Gear Segment
52	741-0225	1	S	Hex . Flg. Brg..634 I.D.
53	736-0187	1	/P	FI-Wash. Hardened
54	738-0743	1	/P	Steering Shaft
58	736-0271	1	S	Wave-Wash..32" I.D. x .62" O.D.
59	736-0187	1	/P	FI-Wash. Hardened
60	723-3018	1	S	Drag Link Ball Joint 3/8-24 Thd.
61	736-0607	1	/P	Ext. L-Wash. 5/16" I.D.
63	727-0425A	1	S	Spring Clip
64	736-0356	1	S	Bell-Wash..39" I.D. x 1.38" O.D.
65	731-1291	1	S	Pivot Bar End Cap
67	737-0280	1	S	Grease Fitting
		1		36" Single Stage Snow Thrower Optional Equipment. For model 190-491-000
		1		42" Dozer Blade Optional Equipment. For model 190-485-000
		1		Mulching Kit for 38" Deck Optional Equipment. For model 190-096-000
		1		Mulching Kit for 42" Deck Optional Equipment. For model 190-097-000
		1		Twin Bag Grass Collector for 38" and 42" Side Discharge Decks Optional Equipment. For model 190-063-000
		1		Front Counterweight Optional Equipment. For model 190-745-000
		1		Tire Chains - 20 x 8 Optional Equipment. For model 190-658-000
		1		31 Lb. Wheel Weights Optional Equipment. For model 190-215-000
		1	F	Gang Reel (Set of three) Optional Equipment. For model 45-0195
		1	F	38" Lawn Sweeper Optional Equipment. For model 45-0222
		1	F	Heavy Duty Lawn Roller Optional Equipment. For model 45-0179
		1	F	Heavy Duty Dump Cart Optional Equipment. For model 45-0171
		1	F	Tine De-Thatcher Optional Equipment. For model 45-0186



134A676F190 38" Lawn Tractor LT-13 (1994)
Transaxle

Page 23 of 27

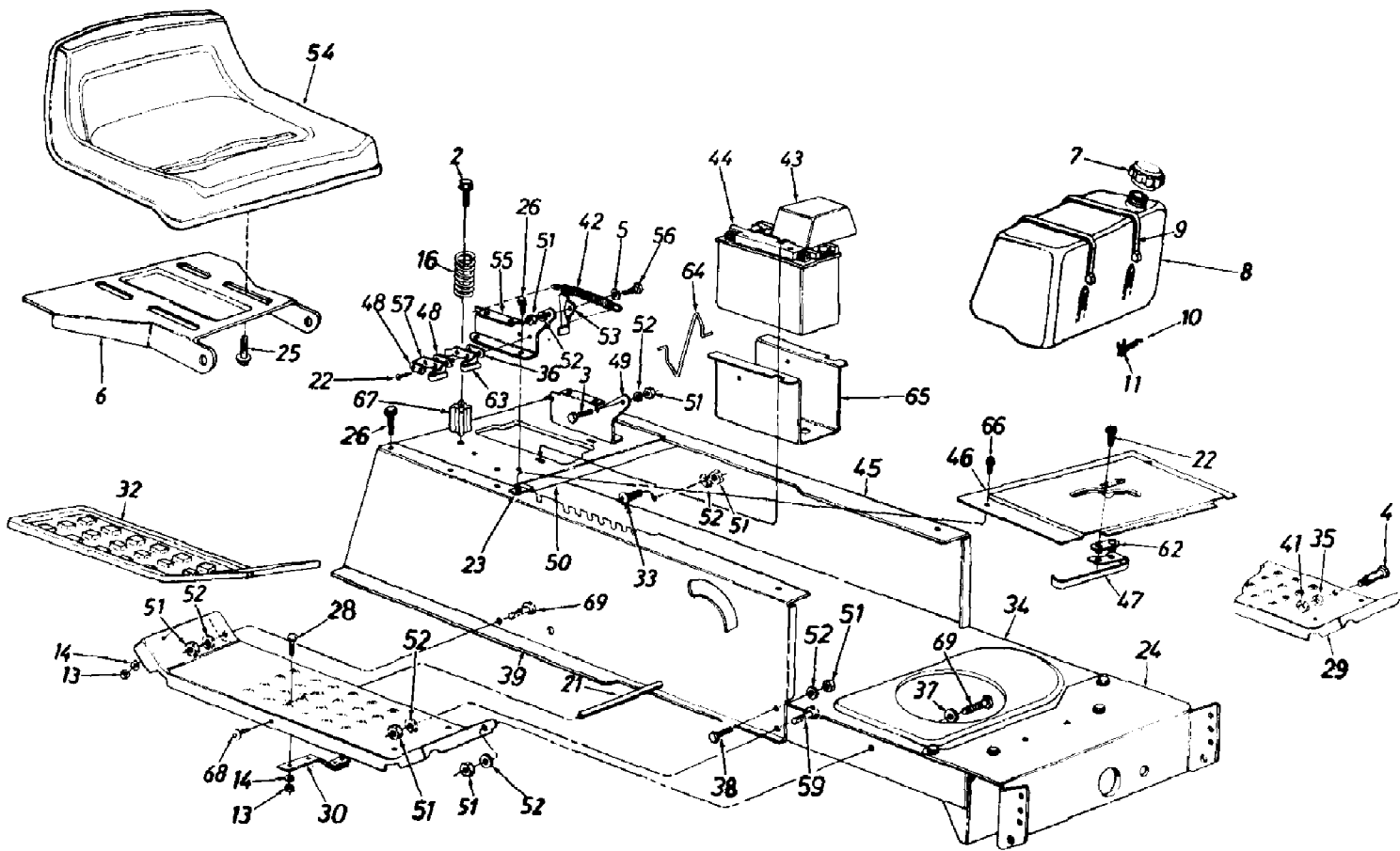
Ref #	Part Number	Qty	S/P/F	Description
1	732-0614	1		Wire Ring
2	716-0231	1	S	"E" - Ring
3	710-1026	1	/P/F	Hex Wash. TT-Tap Scr. 1/4-20 x 1.75" Lg.
4	710-0809	1		Hex Tap Scr. 1/4-20 x 1.25" Lg.
5	719-0314	1	S	Upper Housing
6	712-0200A	1	/P	Hex Jam Nut 1/2-20 Thd.
7	717-1019	1	S	Miter Gear
8	711-0861	1		Input Shaft
10	736-0335	1	S	Thrust Washer 5/8" I.D. x 1.25" O.D.
11	717-0633	1	S	Pinion Input 14T
12	716-0171	1	S	Retaining Ring
13	711-1003	1	S	Drive Shaft - R.H. Brake Code: N notates a new part (not previously existing).
14	741-0336	1	S/F	Flange Brg. 5/8" I.D. x 3/4" Lg.
15	717-1362	1	S	Bevel Gear 42T Small I.D.
16	717-1363	1	S	Bevel Gear 42T Large I.D.
17	718-0228	1		Clutch Collar
18	717-1020	1	/P	Miter Gear 15T (H.D.)
19	716-0184	1	S	Snap Ring
20	741-0589	1	S	Thrust Bearing
21	710-0862A	1	/P	Pan Head Scr. 1/4-20 x .50" Lg. w/Patch
22	717-0537	1		Axle R.H.
23	741-0340	1	S	Sleeve Bearing 3/4" I.D. x 1.0" Lg.
24	721-0179	1	S	Oil Seal 3/4" I.D.
25	750-0767	1		Axle Spacer
26	736-0445	1	S	FI-Wash..760" I.D. x 1.5" O.D.
27	711-0918	1	/P	Cross Shaft
28	717-1252	1	S	Differential Can Ass'y.
32		1		Washer
	736-0495	1	S	Thrust Wash. 5/8" I.D. x 1" O.D. x .025" Thk.
	736-0336	1	S	FI-Wash. 5/8" I.D. x 1" O.D. x .030" Thk.
	736-0494	1		Thrust Wash. 5/8" I.D. x 1" O.D. x .035" Thk.
	736-0337	1	S	FI-Wash. 5/8" I.D. x 1" O.D. x .040" Thk.
34	719-0313	1	S	Lower Housing
35	718-0150	1		Anti-Rotation Brkt.
37		1		Washer
	736-0349	1	S	FI-Wash. 5/8" I.D. x 1" O.D. x .020" Thk.
	736-0336	1	S	FI-Wash. 5/8" I.D. x 1" O.D. x .030" Thk.
	736-0337	1	S	FI-Wash. 5/8" I.D. x 1" O.D. x .040" Thk.
38	712-0273	1	S	Hex Nut 5/16-24 Thd.
39	736-0371	1	/P	FI-Wash..344" I.D. x .875" O.D.
40	717-0700	1	/P	Actuating Arm
41	761-0198	1	S	Brake Yoke
42	717-0682	1	S	Puck Plate
43	717-0678	1	S	Brake Puck
44	717-0536	1		Axle L.H.
45	761-0202	1		Brake Disc
46	741-0337	1	S	Flange Bearing 5/8" I.D. x 15/16" Lg.
48	611-0011	1	S	Shift Fork Ass'y.
49	741-0862	1	/P	Ball Detent .250" Dia.
50	732-0863	1	S	Spring Detent
52	741-0335	1	S	Needle Brg. 5/8" I.D. x 1/2" Lg.

134A676F190 38" Lawn Tractor LT-13 (1994)
Transaxle

Page 24 of 27

Ref #	Part Number	Qty	S/P/F	Description
54	736-0349	1	S	FI-Wash. 5/8" I.D. x 1" O.D. x .020 Thk.
55	741-0343	1	S	Actuating Pin 5/16" Dia.
56	710-1206	1	/P	Hex Wash Hd. Self-Tap Scr. 1/4-20 Thd.
57	717-1364	1	S	Differential Gear 58T
58	736-0349	1	S	FI-Wash. 5/8" I.D. x 1" O.D. x .020 Thk.
	736-0495	1	S	Thrust Wash. 5/8" I.D. x 1" O.D. x .025" Thk.
60		1		Washer
	736-0492	1	S	FI-Wash..76" I.D. x 1.5" O.D. x .010" Thk.
	736-0493	1	S	FI-Wash..76" I.D. x 1.5" O.D. x .020" Thk.
	736-0351	1	S	FI-Wash..76" I.D. x 1.5" O.D. x .030" Thk.
	736-0445	1	S	FI-Wash..76" I.D. x 1.5" O.D. x .060" Thk.
61	736-0519	1	S	Thrust Washer
	737-0148	1	S	Grease - Shell 15 oz.

134A676F190 38" Lawn Tractor LT-13 (1994)
Upper Frame & Seat Assembly



134A676F190 38" Lawn Tractor LT-13 (1994)
Upper Frame & Seat Assembly

Page 26 of 27

Ref #	Part Number	Qty	S/P/F	Description
2	710-1208	1	/P	Hex Wash. Hd. Tap Scr. 5/16-18 x 3.25" Lg.
3	738-0155	1	S	Shld. Bolt .437" Dia. x .162"
4	738-0145	1	S	Shld. Bolt .50" Dia. x .84"
5	736-0141	1	S	Spr-Wash..445" I.D. x .75
6	783-0039	1	S	Seat Pivot Bracket
7	751-0603	1	S	Fuel Cap
8	751-0574	1		Fuel Tank
9	726-0209	1	/P	Tie Strap
10	751-0535-15	1	S	Fuel Line
11	726-0205	1	/P	Hose Clamp
13	712-0287	1	S/F	Hex Nut 1/4-20 Thd.
14	736-0329	1	S	L-Wash. 1/4" I.D.
16	732-0735	1	/P	Compression Spring Code: N notates a new part (not previously existing).
21	738-0526	1		Running Board Rod
22	710-0227	1	/P	Hex Wash. Hd. AB-Tap Scr. #8 x .50" Lg.
23	726-0139	1	/P	Speed Nut #10Z
24	783-0041	1	S	Front pivot Brkt.
25	710-0623	1	/P	Hex Tap Scr. 3/8-16 x .75"
26	710-0726	1	/P	Hex Wash. Hd. AB-Tap Scr. 5/16 x .75" Lg.
28	710-0134	1	/P/F	Carriage Bolt 1/4-20 x .62"
29	17770A	1	S	Running Board (R.H. & L.H.)
30	761-0168A	1	S	Blade Brake Ass'y.
32	731-0911	1		Rubber Foot Pad - L.H.
	731-0912	1		Rubber Foot Pad - R.H.
33	710-0323	1	/P	Truss Mach. Scr. 5/16-18 x .75" Lg.
34	683-0065	1	S	Lower Frame Code: N notates a new part (not previously existing).
35	736-0169	1	S/F	L-Wash. 3/8" I.D.
36	726-0278	1		Insulator Boss Plate
37	736-0264	1	S	FI-Wash..344" I.D. x .625" O.D.
38	710-0118	1	S/F	Hex Bolt 5/16-18 x .75" Lg.
39	783-0042	1	S	Upper Frame - R.H. Code: N notates a new part (not previously existing).
41	712-0798	1	/P/F	Hex Nut 3/8-16 Thd.
42	732-0581B	1	S	Extension Spring 5.31" Lg.
43	731-1200	1		Battery Cover
44	725-1635	1	S	12-V Battery
45	783-0043	1	/P	Upper Frame - L.H. Code: N notates a new part (not previously existing).
46	17286A	1	S	Shift Cover
47	725-1643	1		Reverse Safety Switch
48	726-0279	1		Insulator Plate
49	17951	1	S	Seat Pivot Brkt. Support - L.H.
50	17953	1		Hitch Plate
51	712-0267	1	S/F	Hex Nut 5/16-18 Thd.
52	736-0119	1	S/F	L-Wash. 5/16" I.D.
53	17239A	1	S	Seat Lift Brkt.
54	757-0370	1	S	Seat(134A676F190)
	757-0371	1	S	Seat
55	17950			Seat Support - R.H.

134A676F190 38" Lawn Tractor LT-13 (1994)
Upper Frame & Seat Assembly

Page 27 of 27

Ref #	Part Number	Qty	S/P/F	Description
56	738-0296	1	S	Shld. Bolt .437" Dia. x .268"
57	725-1303	1	S	Spring Switch
59	710-0650	1	/P	Hex Wash. TT-Tap Scr. 5/16-18 x 7/8" Lg.
62	726-0320	1	S	Insulator Nut Plate
63	725-1439	1		Safety Switch (Seat)
64	732-0674	1		Battery Tray Clip (Single Cylinder)
65	17952	1	S	Battery Tray
66	710-0351	1	/P	Truss Mach. B-Tap Scr. #10 x .5" Lg.
67	748-0347	1	S	Spring Spacer
68	710-1221	1		Pan Hd. Cutting Scr. 5/16-18 x .75" Lg.
69	710-0118	1	S/F	Hex Bolt 5/16-18 x .75" Lg.